



مدونة المناهج السعودية

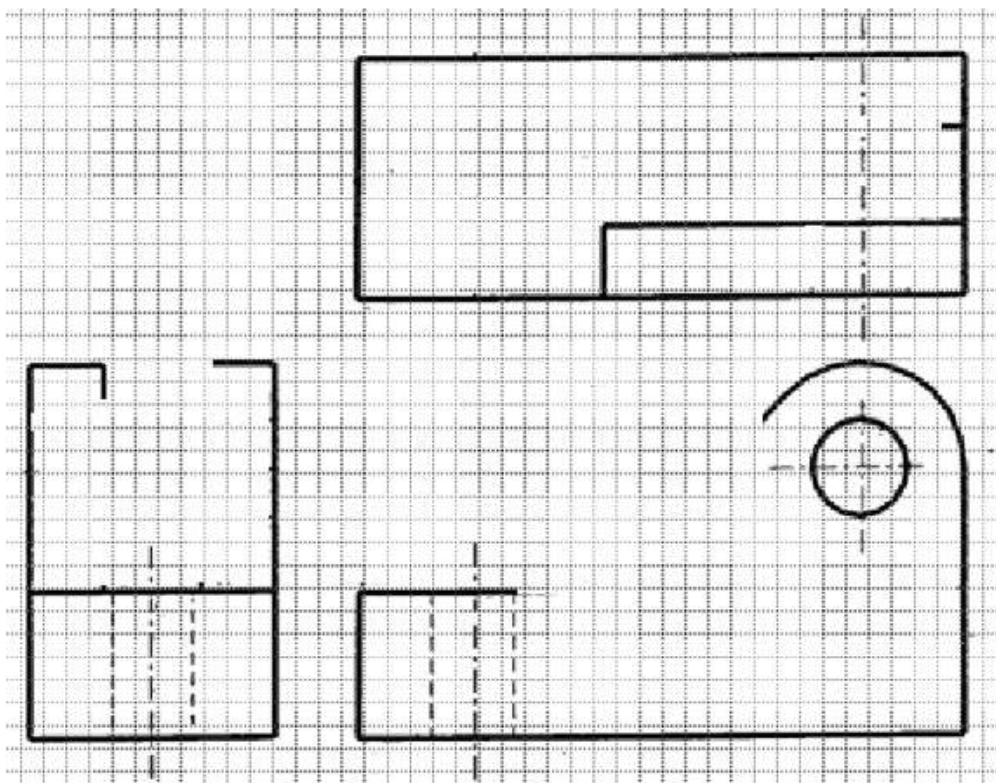
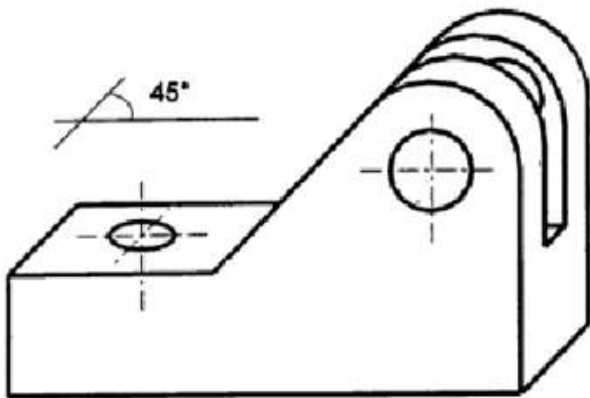
<https://eduschool40.blog>

الموقع التعليمي لجميع المراحل الدراسية

في المملكة العربية السعودية

Exercise 4.

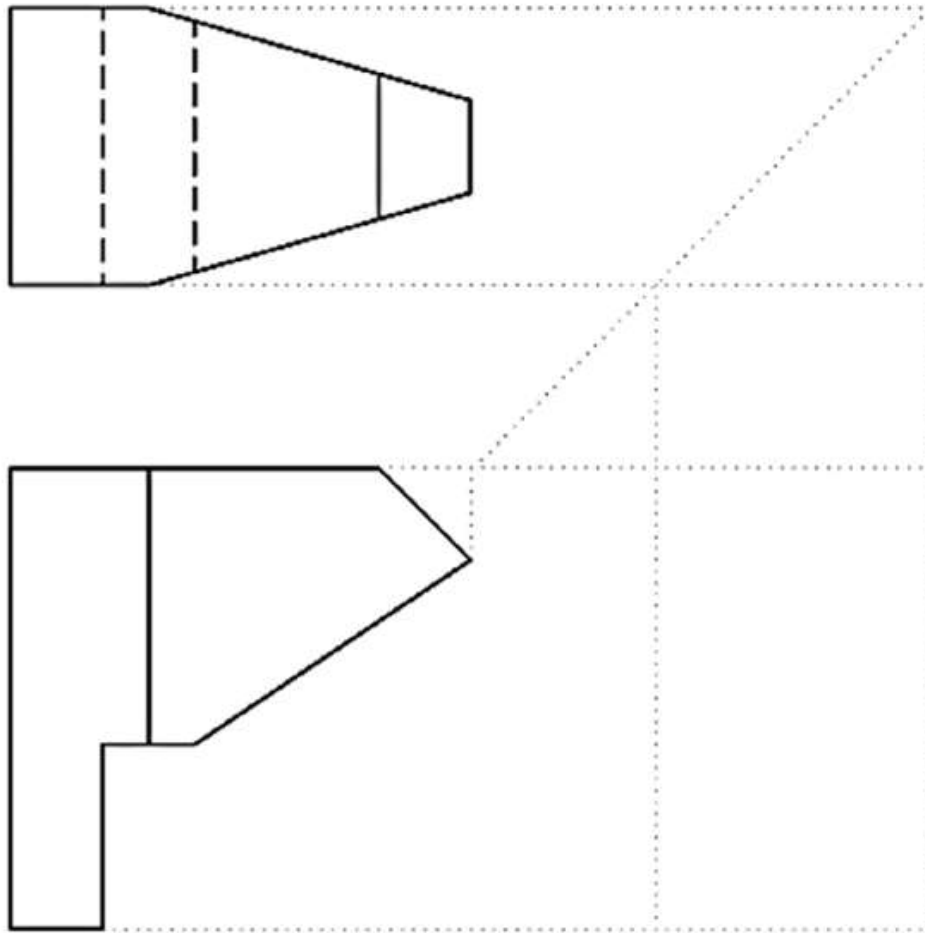
Complete the orthographic projection of the part figured below



WWW.KOIZAT.COM

Exercise 5.

Given two complete views, sketch in the missing view.



End of Paper

Good Luck

Set by

Instructor

Checker

Name

Dr. Lotfi Ben Said

Dr. Walid Aich .

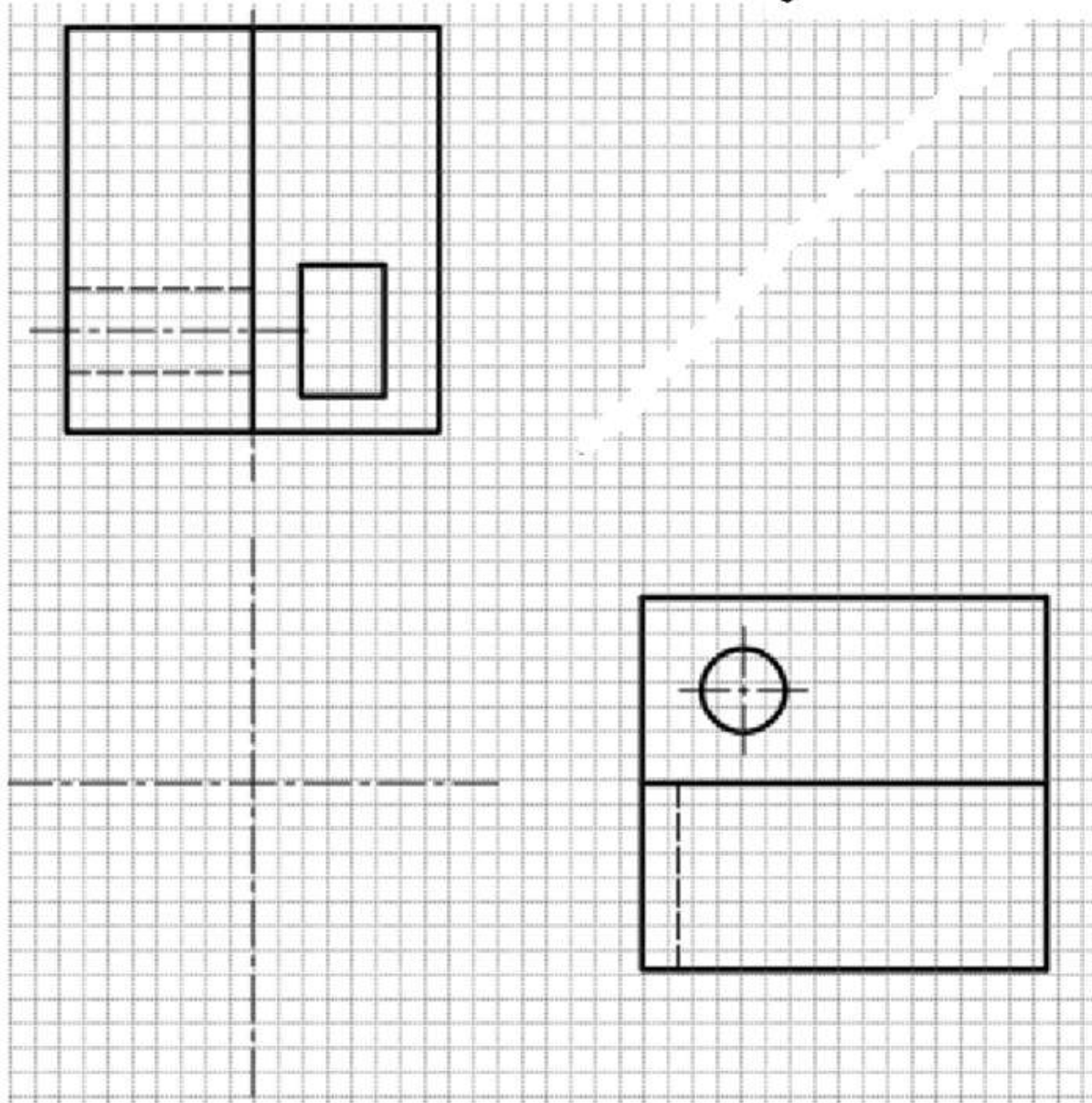
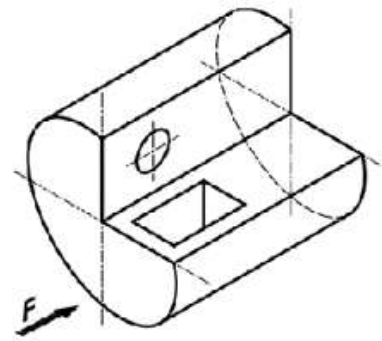
Signature



WWW.KOIZAT.COM

Exercise 3.

Complete the orthographic projection of the part figured below



WWW.KOIZAT.COM

Exercise 1: Choose the right answer

Q1. The two ways of drawing orthographic projection are

- a) First angle, second angle
- b) First angle, third angle
- c) Second angle, third angle
- d) Second angle, fourth angle

Q2. Orthographic projection represents three dimensional objects in

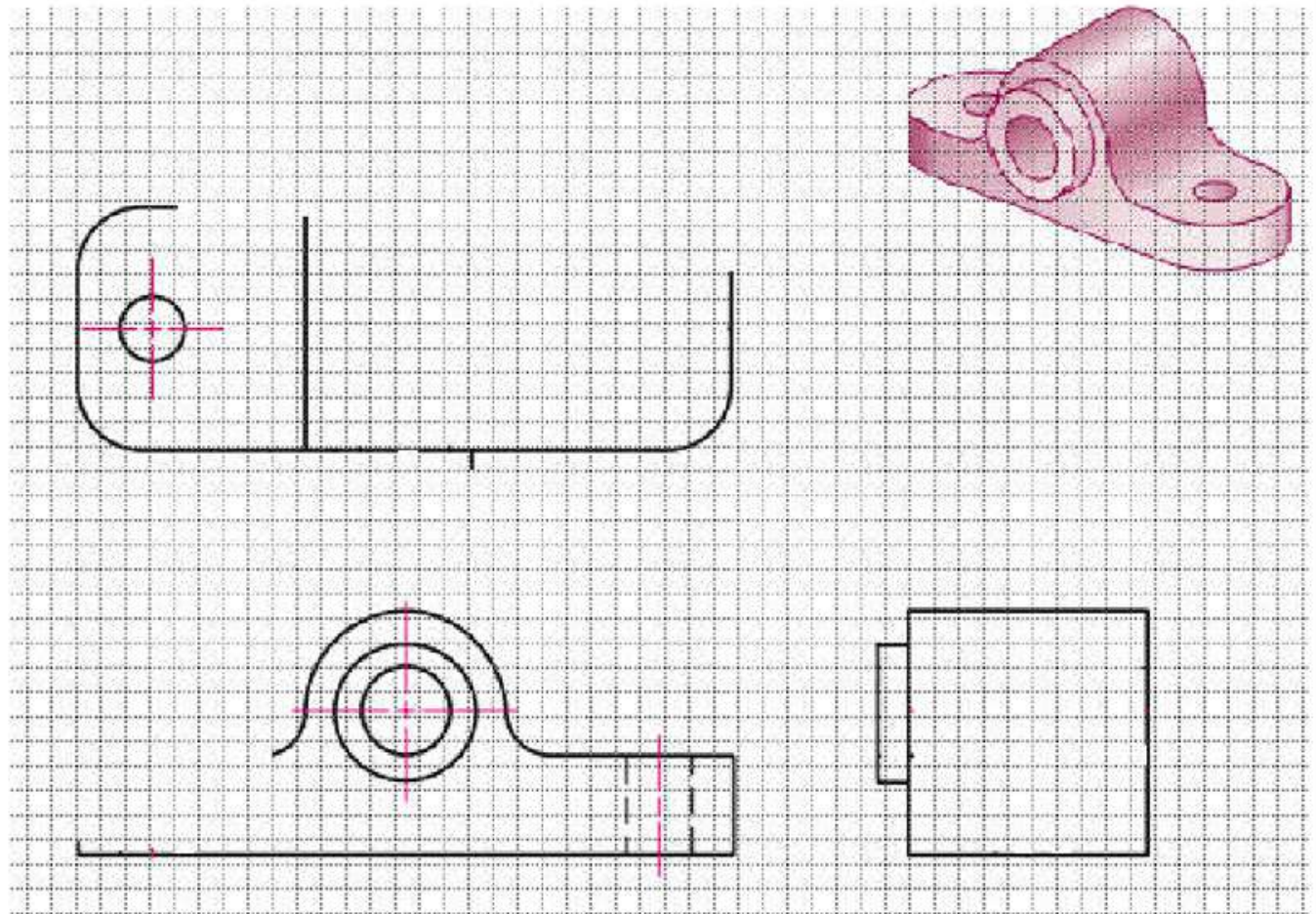
- e) One dimension
- f) Two dimension
- g) Three dimension
- h) All of the above



WWW.KOIZAT.COM

Exercise 2

Complete the orthographic projection of the part figured below (the three views are incomplete)





جامعة حائل
University of Hail

UNIVERSITY OF HAIL



College of Engineering
Mechanical Engineering
Department

Theoretical Major Exam 2

Drawing and Graphics (ME210)
Section 3833



WWW.KOIZAT.COM

Exam paper contains (3) exercises and consists of (2) pages (other than this cover page)

1st Semester 1439/1440H (2018/2019G)

Student Name: _____ (ID No.: _____)

Date of Exam: 28/11/2018

Maximum Marks: 15

Time Allowed: 60 Min

Exam Instructions:

- Please be neat
- Write your name and ID number in the space provided above
- All cell phones and electronic devices that transmit wirelessly must be **turned off** during the exam
- Laptops, iPods, language translators, or any devices that can receive a wireless signal **are not allowed**
- This is a **closed-book** exam.
- You may use only non-programmable calculators
- Do not use pencils for answering
- Credit is given for demonstrating a correct approach to a problem; not simply for the answer. Show all the work and indicate all the assumptions made in order to receive partial credit. There will be no effort to correct messy solution

For instructor use only

Q	Course Learning Outcomes (CLOs)
1	1.1
2	1.1, 1.2, 2.1
3	1.1, 1.2, 2.1
4	1.1, 1.2, 2.1
5	1.1, 1.2, 2.1

Q	Marks Assigned	Marks Attained
1	2	
2	4	
3	3	
4	3	
5	3	
Total (out of 15)		